

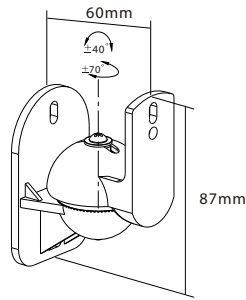
SLX 2 x Surround Sound Adjustable Speaker Brackets

28053R

USER GUIDE

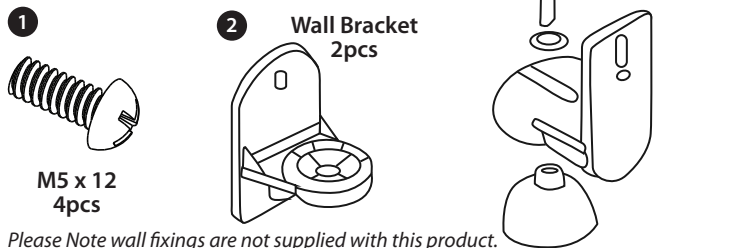
Main Features

- Contemporary design perfect for indoor and outdoor use
- Will fit all major brands of wall speakers
- Fits all Single point speakers - with threaded insert in speaker back
- Pan/Tilt multi angle adjustable
- Supports up to: 3.5Kg



Components

Before installation check that you have all the components shown here and that none of them is damaged.



Please Note wall fixings are not supplied with this product.

Installation

Fixing to Wood (Stud Walls)

Use a good quality stud sensor to locate studs, verify where the centre of the studs are located with an awl or thin nail. Do not attach to the plasterboard. The wall bracket ② is attached to the stud wall using two appropriate screws/bolts and washers as shown in Fig. 2. Make sure the screws/bolts are suitable for wood and large enough to support the weight of the speaker and bracket (if in doubt ask for advice at your local DIY/hardware store and remember to make sure that the heads of the screws/bolts are the correct size to hold the bracket securely in position). Use a spirit level to make sure the wall bracket ② is level when you hold the bracket against the wall to mark the drill holes. Drill the two holes required and attach the wall bracket ② making sure the screws/bolts are fully tightened.

Fixing to Concrete/Brick Walls

The process is the same as for attaching to wood. You should however use screws/bolts, washers and wall plugs suitable for the type of wall you are mounting onto (if in doubt ask for advice at your local DIY/hardware store and remember to make sure that the heads of the screws/bolts are the correct size to hold the wall bracket ② securely in position), see Fig. 3. When fixing to walls screws/bolts should be fixed into bricks/stone not into mortar courses. Use the wall bracket ② as a template to mark screw/bolt positions and make sure all screws/bolts are properly tightened.

Attaching the Speaker to the Speaker Mount

Attach the speaker mount assembly ③ to your speaker using the M5 bolt ① provided and the threaded insert in the back of the speaker, see Fig. 4.

Attaching the Speaker Mount to the Wall Bracket

Assemble the speaker bracket and speaker as shown in Fig. 5. Once the speaker has been adjusted to the angle you want tighten the assembly bolt.



WARNING

- We have not supplied wall fixings with this product. All walls differ in strength and thickness. Consult a qualified installer or seek advice from your local DIY/hardware store on purchasing suitable wall fixings to safely mount the bracket on the type of wall being used.
- Check the contents list and images below to check there are no missing or defective parts.
- Never exceed the Maximum Weight Capacity shown above.
- Read these instructions carefully before installation. If in any doubt about safely installing this product, contact a professional installer for assistance.
- This product was designed to be installed on wood stud walls and solid concrete/brick walls. When fixing to walls screws/bolts should be fixed into bricks/stone not into mortar courses.
- Make sure the wall will support the combined load of the equipment and hardware. Also check for hidden wiring or plumbing.
- Make sure that the heads of the screws/bolts you buy as wall fastenings are the correct size to hold the bracket securely in position.
- Improper installation or use of this product can result in product failure, damage or personal injury.
- This product contains small items that could cause choking if swallowed, so keep these items away from children and pets.
- Appropriate safety equipment and proper tools must be used for installation. Always check manufacturer's operating and safety instructions before using tools and other equipment

Fig. 1

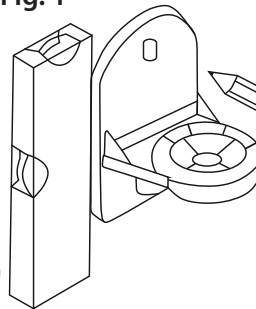


Fig. 2

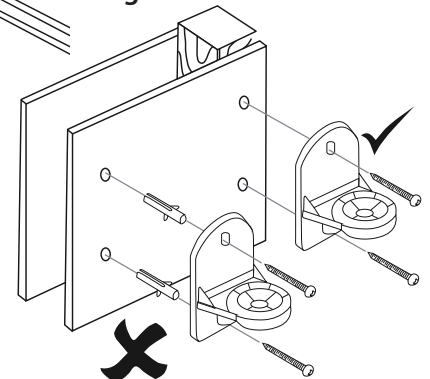


Fig. 3

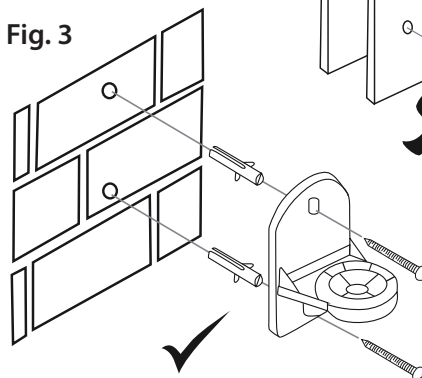


Fig. 4

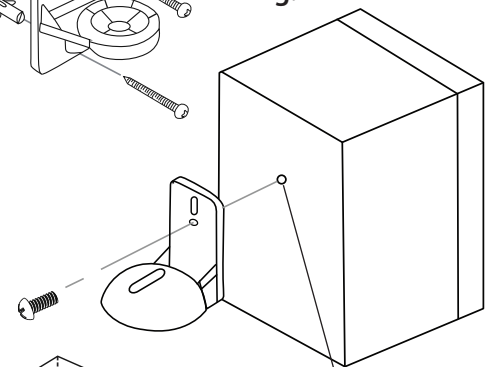
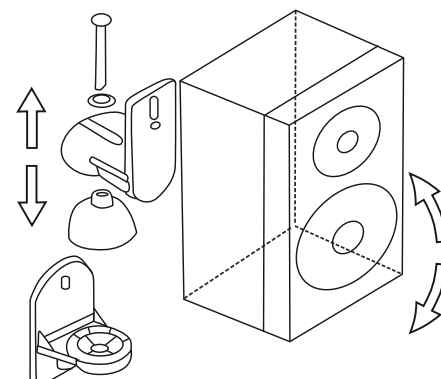


Fig. 5



Single threaded insert

For further information or any queries please contact

Customer Careline: 0901 293 0038

Calls are charged at £1 per minute from a BT landline.

Call charges from other networks may vary.

Technical Support: www.philex.com/support

