

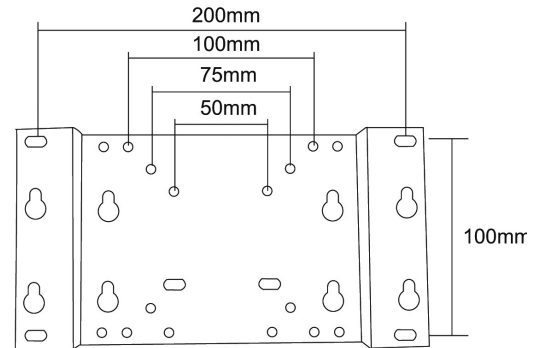


28030R

USER GUIDE

Main Features

- **TV Size Range: 14 - 32"**
- **Maximum Load Capacity: 30kg**
- **Mount Function: Flat to Wall**
- **Wall to TV Distance: 18mm**
- **Compatible with VESA Sizes: 50 x 50, 75 x 75, 100 x 100 & 200 x 100mm**



WARNING

- We have not supplied wall fixings with this product. All walls differ in strength and thickness. Consult a qualified installer or seek advice from your local DIY/hardware store on purchasing suitable wall fixings to safely mount the bracket on the type of wall being used.
- Check the contents list and images below to check there are no missing or defective parts.
- Never exceed the Maximum Weight Capacity shown above.
- Read these instructions carefully before installation. If in any doubt about safely installing this product, contact a professional installer for assistance.
- This product was designed to be installed on solid concrete/brick walls. When fixing to walls screws/bolts should be fixed into bricks/stone not into mortar courses.

- Make sure the wall will support the combined load of the equipment and hardware. Also check for hidden wiring or plumbing.
- Make sure that the heads of the screws/bolts you buy as wall fastenings are the correct size to hold the bracket securely in position.
- For larger/heavier TVs we recommend that you ask someone to assist you with lifting and positioning your TV.
- This product is suitable for indoor use only.
- Improper installation or use of this product can result in product failure, damage or personal injury.
- This product contains small items that could cause choking if swallowed, so keep these items away from children and pets.
- Appropriate safety equipment and proper tools must be used for installation. Always check manufacturer's operating and safety instructions before using tools and other equipment

Components

Before installation check that you have all the components shown here and that none of them are damaged.

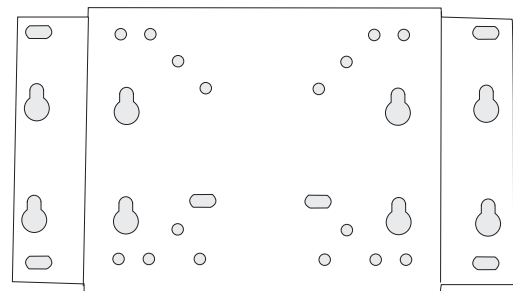
M4 x 10
4pcs



M5 x 10
4pcs



Wall Bracket
1pc



Please Note wall fixings are not supplied with this product.

Wall Mount & VESA Compatibility

- VESA is the standard adopted by most TV manufacturers for wall bracket mounting.
- There are 4 holes on the back of every flat screen TV and the space between the holes is governed by the VESA standard.
- VESA comes in a range of sizes depending on the weight and size of the flat screen TV; sizes 50 x 50mm, 75 x 75mm, 100 x 100mm, 100 x 200mm and so on... are standard. Not all flat screen TVs are compliant, contact the TV manufacturer for assistance if your TV does not appear to comply with VESA.
- To check if your TV or monitor is compliant, look at the rear of the display there should be 4 screw-holes in a square pattern or in larger displays a rectangular shape. See Fig. 1 opposite, with VESA mounting points shown in white circles.
- Measure the distances marked (2) (horizontal) x (1) (vertical) in mm to find your VESA format.

Fig. 1



Mounting your TV -Overview

Once you have decided where to locate your TV and where the bracket needs to be positioned, mounting requires the 3 simple steps described below. Step 1: mark and drill fixing holes in the wall and attach the bracket to the wall using suitable screws/bolts, then slide the bracket off

the screws/bolts. Step 2 attach the bracket securely to the TV using the bolts supplied. Step 3 Lift the TV and bracket assembly align the keyhole slots on the bracket with the heads of all four screws/bolts in the wall and slide the bracket down securely into position.

STEP 1 - Preparing the wall fittings

Mark and drill four holes in your wall to allow mounting of the bracket at the four holes marked on the diagram below. The side of the bracket mounted flush to the wall and the position of the fixing holes used will differ according to the VESA size see Fig 2 & 3 below.

To mark the holes, hold the bracket to the wall, using a spirit level to make sure the bracket is level, and mark the centre of each hole.

Drill the four holes.

Attach the bracket to the wall using the appropriate screws/bolts (make sure the screws/bolts are suitable for the wall type, if in doubt ask for

advice at your local DIY/hardware store and remember to make sure that the heads of the screws/bolts are the correct size to hold the bracket securely in position).

Tighten the screws/bolts in the positions shown below (in Fig. 2 or 3 as appropriate). Make sure the screws are tight enough to hold the bracket flush to the wall but loose enough to allow you to slide the bracket up and off the key slots. Remove the bracket and attach to the TV as described in STEP 2 below.

Fig. 2 Wall Fitting with bracket ends flush to the wall for VESA sizes 50 x 50mm, 75 x 75mm & 100 x 100mm

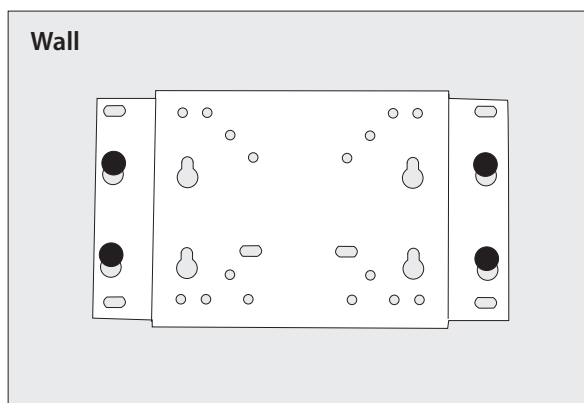
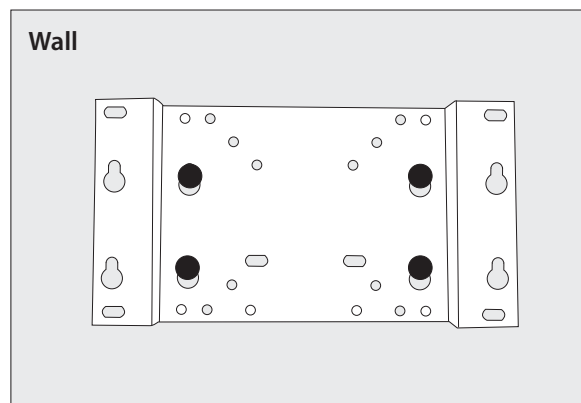


Fig. 3 Wall Fitting with bracket centre flush to the wall for VESA size 200 x 100mm



STEP 2 - Attaching the bracket to the TV

Once you have checked the compatibility of your television, locate the fitting holes on the mounting plate that match your television's mounting holes. See black fitting holes marked on the diagram below.

Check which size of the fitting screws supplied fits your television (M4 or M5) and attach the plate firmly to the back of your television.

Fig. 4 Fitting bracket centre flush to the TV for VESA sizes 50 x 50mm, 75 x 75mm & 100 x 100mm

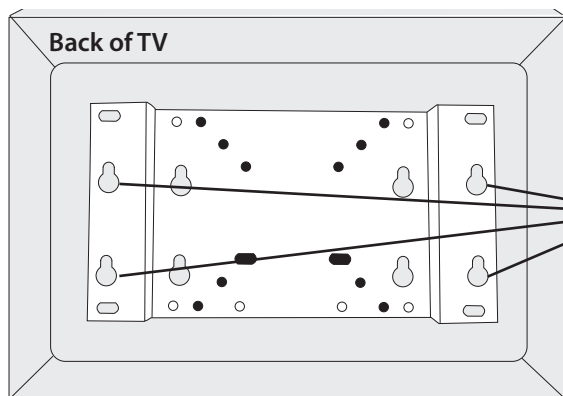
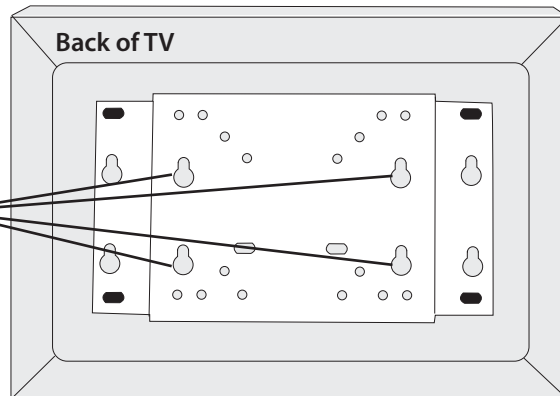


Fig. 5 Fitting bracket ends flush to the TV for VESA size 200 x 100mm



Keyhole Slots

STEP 3 - Attaching the bracket and TV to the wall

Now that the mount is securely fastened to the television, Lift the TV and bracket assembly and align the keyhole slots on the bracket (see Fig. 4 & 5) with the heads of all four screws/bolts in the wall and slide the bracket down until it slots securely into position.

If the television feels loose on the wall, lift the mount off the wall screws and tighten them to decrease the gap between the screw head and wall.

PLEASE NOTE: It is recommended that especially with larger/heavier TVs it is easier and safer if more than one person does any lifting required.

