

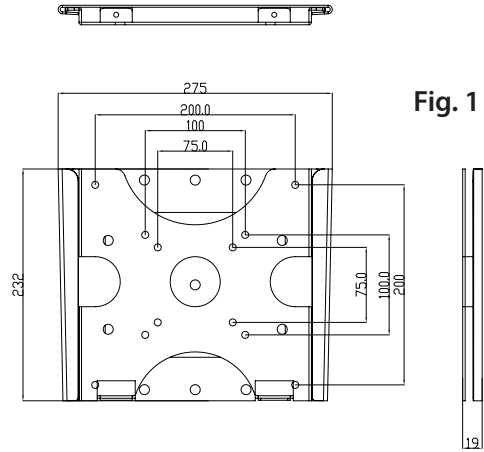
SLX Flat TV Screen Wall Mount 14 - 32" - Flat to Wall

28031R

USER GUIDE

Main Features

- **TV Size Range:** 14-32"
- **Maximum Weight Capacity:** 30kg
- **Mount Function:** Flat to Wall
- **Wall to TV Distance:** 19mm
- **Compatible with VESA Sizes:** 75x75/100x100/200x100/200x200
- **200x200 Max. Hole Pattern**



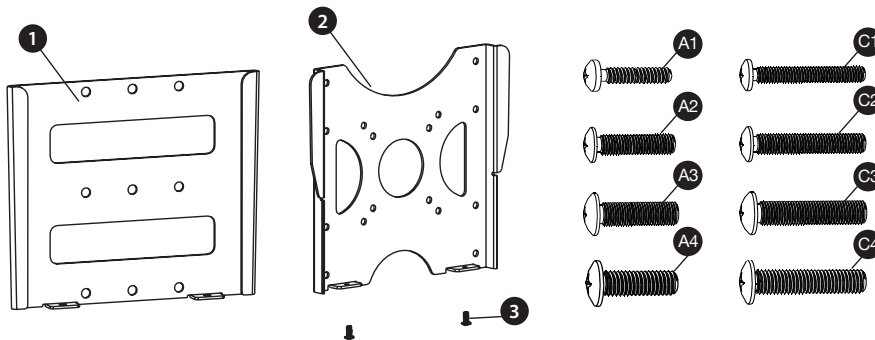
WARNING

- We have not supplied wall fixings with this product. All walls differ in strength and thickness. Consult a qualified installer or seek advice from your local DIY/hardware store on purchasing suitable wall fixings to safely mount the bracket on the type of wall being used.
- Check the contents list and images below to check there are no missing or defective parts.
- Never exceed the Maximum Weight Capacity shown above.
- Read these instructions carefully before installation. If in any doubt about safely installing this product, contact a professional installer for assistance.
- This product was designed to be installed on wood stud walls and solid concrete/brick walls. When fixing to walls screws/bolts should be fixed into bricks/stone not into mortar courses.

- Make sure the wall will support the combined load of the equipment and hardware. Also check for hidden wiring or plumbing.
- Make sure that the heads of the screws/bolts you buy as wall fastenings are the correct size to hold the bracket securely in position.
- For larger/heavier TVs we recommend that you ask someone to assist you with lifting and positioning your TV.
- This product is suitable for indoor use only.
- Improper installation or use of this product can result in product failure, damage or personal injury.
- This product contains small items that could cause choking if swallowed, so keep these items away from children and pets.
- Appropriate safety equipment and proper tools must be used for installation. Always check manufacturer's operating and safety instructions before using tools and other equipment

Components

Before installation check that you have all the components shown here and that none of them is damaged.



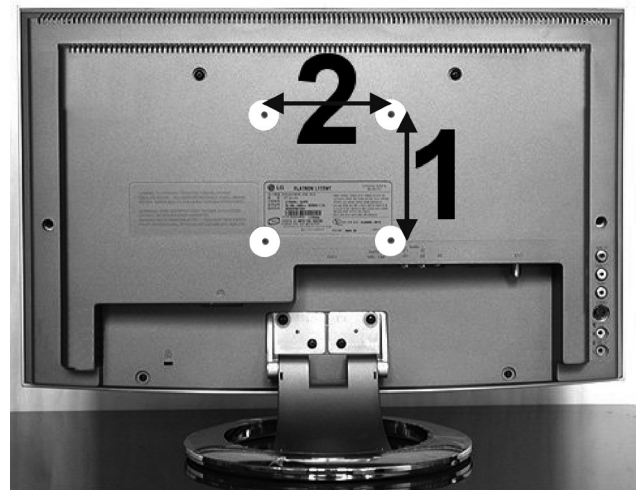
ID	Qty	Description
1	1	Wall Plate
2	1	Adaptor Bracket
3	2	Safety Bolt

ID	Qty	Description
A1	4	M4x12mm bolt
A2	4	M5x12mm bolt
A3	4	M6x12mm bolt
A4	4	M8x16mm bolt
A5	4	M5 Washer
C1	4	M4x25mm bolt
C2	4	M5x25mm bolt
C3	4	M6x25mm bolt
C4	4	M8x25mm bolt
C5	4	Spacer

Wall Mount & VESA Compatibility

- VESA is the standard adopted by most TV manufacturers for wall bracket mounting.
- There are 4 holes on the back of every flat screen TV and the space between the holes is governed by the VESA standard.
- VESA comes in a range of sizes depending on the weight and size of the flat screen TV; sizes 50 x 50mm, 75 x 75mm, 100 x 100mm, 100 x 200mm and so on... are standard. Not all flat screen TVs are compliant, contact the TV manufacturer for assistance if your TV does not appear to comply with VESA.
- To check if your TV or monitor is compliant, look at the rear of the display there should be 4 screw-holes in a square pattern or in larger displays a rectangular shape. See Fig. 2 opposite, with VESA mounting points shown in white circles.
- Measure the distances marked (2) (horizontal) x (1) (vertical) in mm to find your VESA format.

Fig. 2



Mounting your TV - Overview

Once you have decided where to locate your TV and where the bracket needs to be positioned, mounting requires the 3 steps described below.

Step 1: mark and drill fixing holes in the wall and attach the Wall Plate ① to the wall using suitable screws/bolts.

Step 2: attach the Adaptor Bracket ② & to the back of the TV using the plastic spacers ③ if required.

Step 3: slide the Adaptor Bracket ② with the TV attached onto the Wall Plate ① and make secure using the Safety Bolts ④. You may find it easiest to make your connections before this Step.

STEP 1 - Fixing the Wall Plate to the Wall

Fixing to Wood (Stud Walls)

Use a stud sensor to locate the upright stud closest to where you want to mount your screen (the centres of each stud are usually approx. 400mm or 600mm apart). It is a good idea to verify where the studs are located with an awl or thin nail.

The Wall Plate ① is attached to the wall using a minimum of three appropriate screws/bolts and washers as shown in Fig. 4.

Make sure the screws/bolts are suitable for wood and large enough to support the weight of the TV and bracket (if in doubt ask for advice at

your local DIY/hardware store and remember to make sure that washers and the heads of the screws/bolts are the correct size to hold the bracket securely in position).

Mark and drill your first hole into the wood as close as possible to the centre of an upright. To mark the remaining hole/holes, hold the Wall Plate ① to the wall, use a spirit level (not supplied) to make sure the bracket is level, and mark the centre of each hole. Make sure the Wall Plate is oriented as shown below and all screws/bolts are fully tightened.

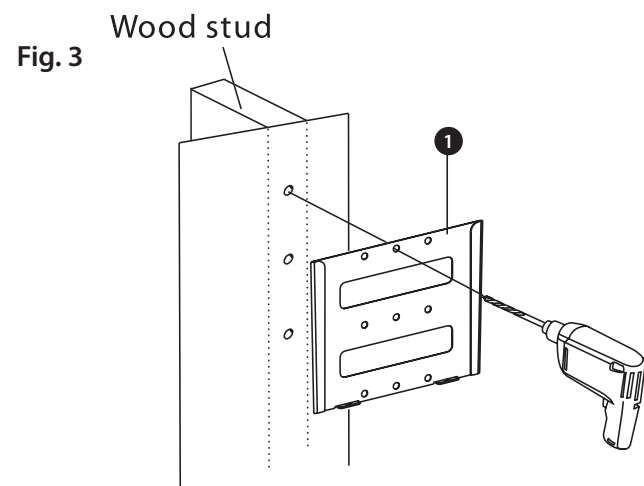


Fig. 3

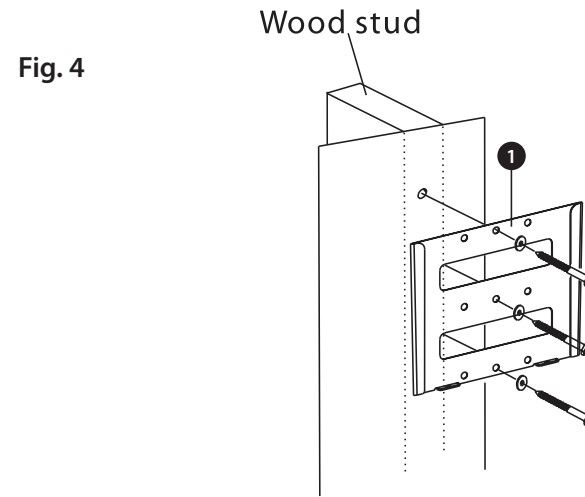


Fig. 4

NOTE: The centres of studs are normally approx. 400mm - 600mm apart.

Fixing to Concrete/Brick Walls

The process is similar to attaching the Wall Plate ① to wood. You should use a minimum of 3 screws/bolts, washers and wall plugs suitable for the type of wall you are mounting onto (if in doubt ask for advice at your local DIY/hardware store and remember to make sure that washers and the heads of the screws/bolts are the correct size to hold

the bracket securely in position), see Fig. 5. When fixing to walls screws/bolts should be fixed into bricks/stone **not** into mortar courses. Use the Wall Plate ① as a template to mark screw/bolt positions and make sure all screws/bolts are properly tightened.

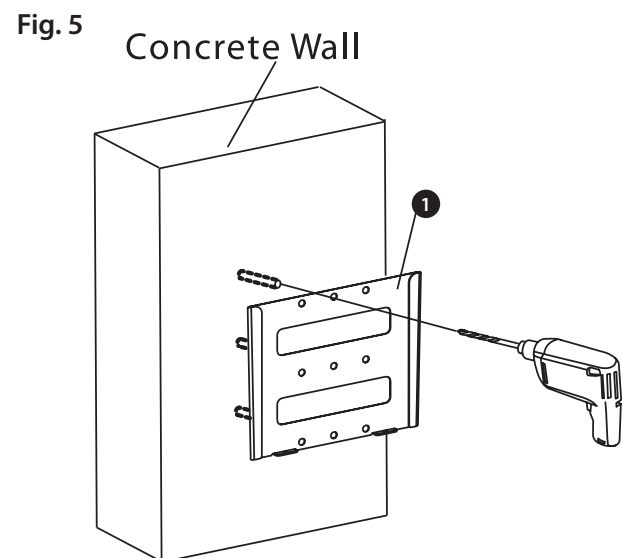


Fig. 5

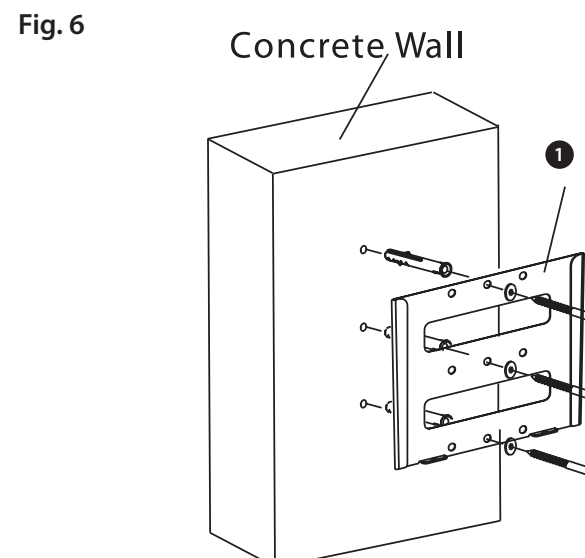


Fig. 6

STEP 2 - Attaching the Adaptor Bracket to the TV

Determine the proper VESA mounting configuration for your screen, see Fig. 2. Four each of two lengths of M4, M5, M6 and M8 mounting bolts are provided for attaching the Adaptor Bracket ② to the VESA mounting holes use the size which fits your TV. Use longer length bolts ①...④ and the four Plastic Spacers ⑤ for TV's with curved or recessed back panels as shown in Fig. 7.

If you are mounting to a television with a flat back you can use shorter bolts ①...④ and will not need a plastic spacer ⑤, see Fig. 8. For M4 and M5 bolts use the M5 washers ⑥. Make sure all four bolts are properly tightened and held in place by at least three full turns. Do not overtighten.

Fig.7

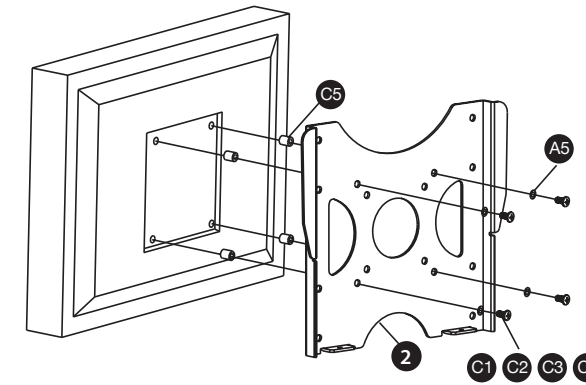
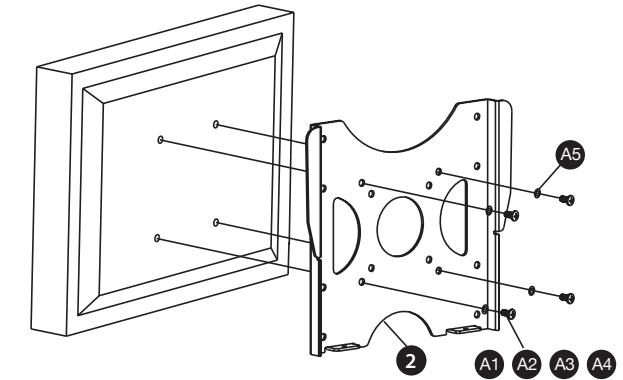


Fig.8



STEP 3 - Attaching Adaptor Bracket to the Wall Plate

Attach Adaptor Bracket ② to Wall Plate ① by sliding the flanges of the Adaptor Bracket ② into the flanges of the Wall Plate ①. Secure with the two safety bolts ④. Tighten bolts securely. Do not overtighten

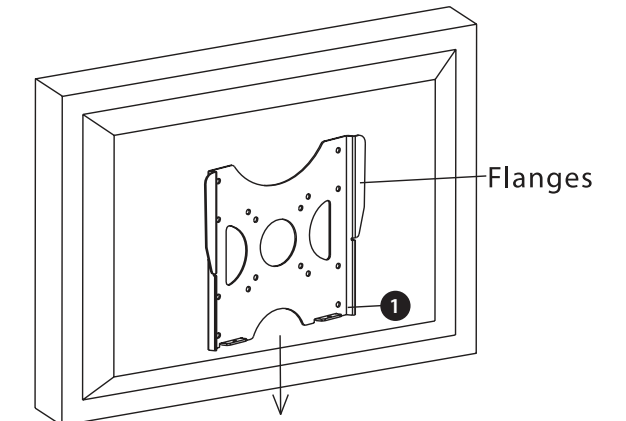


Fig.9

