

27777RG USER GUIDE

Features Include:

- This aerial is 4G ready - which means it removes interference & channel loss from your TV caused by 4G mobile phone signals
- High gain and low noise built-in amplifier
- Suitable for Digital TV in strong signal areas
- Compact design
- Adjustable gain control

Installation Instructions

1. Plug the integrated aerial coax lead (Fig. 1) from the aerial into the antenna (RF) input on your set-top box, or TV.
2. Connect a SCART lead from the SCART output on your set-top box to your TV. Alternatively, connect an aerial coax lead (not supplied) from the RF output on your set-top box to the aerial input on your TV (if in doubt check the instructions for your set-top box).
3. Switch on the variable gain control and set to maximum amplification (turn control clockwise as far as it will go).
4. Rotate and tilt the UHF loop antenna to obtain the best reception (see Fig. 2).
5. Adjust gain control to obtain best picture signal.

Fig. 1

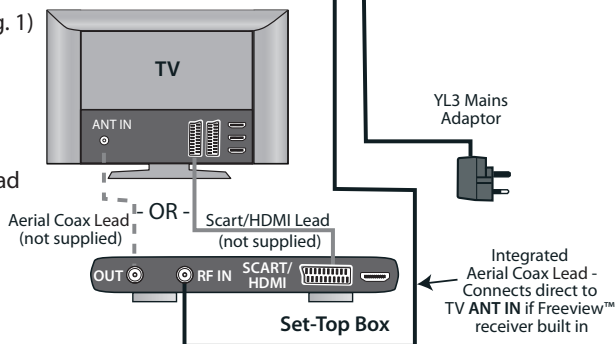
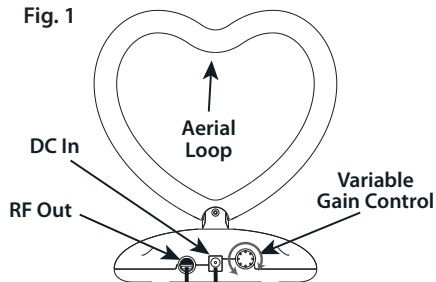


Fig. 2

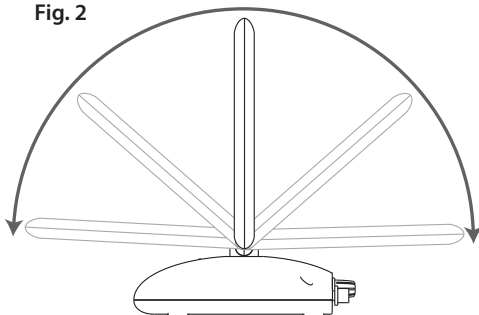
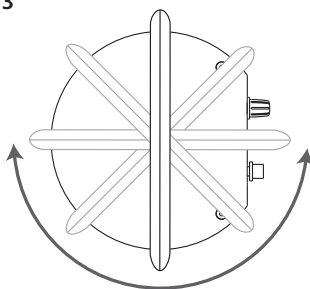


Fig. 3



Connecting an alternative RF source

The **RF IN** coaxial socket on the back of the aerial (See Fig. 1) allows an alternative video source, such as an outdoor aerial, cable TV, a video game, or satellite receiver to be connected to your TV via the aerial. This saves you having to keep connecting and disconnecting the coaxial cable running to your TV and also saves wear and tear on the TV coaxial socket.

To select the signal from the aerial, switch on the gain control. The red power LED on the front of the aerial will light up, while this LED is lit the signal sent to your TV will be from the indoor aerial. To switch to an alternative video source connected via the **RF IN** coaxial socket simply switch off the gain control (power LED is not lit).

Troubleshooting

Problems with DTT (Digital Terrestrial Television)

Unlike analogue terrestrial television, it is not possible to view DTT channel under weak signal strength conditions. Therefore, typically you will either receive DTT channels with a clear picture and sound or you will not receive any channels at all. Sometimes, an insufficient digital signal can cause occasional blocking, freezing or complete loss of picture. Try the following to improve the picture:

1. Tilt and rotate aerial.
2. Adjust Gain control.
3. Position aerial at greater or lesser distance from TV until optimum signal is received.
4. Check the mains connection and fuse

Blocking, freezing or complete loss of picture can also occur when a digital signal is too strong. Adjust Gain control to obtain best picture result.

General Safety Precautions

- To prevent fire or shock hazard, do not expose this device to rain or moisture.
- This product is for indoor use only
- Do not expose the product to extreme heat
- Do not use the product close to water.
- Do not open this aerial it contains no user serviceable parts. Refer servicing to qualified personnel only.
- This device should be operated using only the power supply included with it.
- Do not overload wall outlets and extension cords as this can result in the risk of fire or electrical shock.

Specifications

Frequency Range: 470-790MHz

Power Supply: 12V DC 80mA

Impedance: 75Ω

Gain 20dB +/-3dB

For further information or any queries please contact

Customer careline: 08457 573479

Local Rate - UK Only

Technical Support: www.philex.com/support



Waste electrical and electronic products should not be disposed of with household waste. Please recycle where facilities exist. Check with your Local Authority for recycling advice.

