



General Safety Precautions

- To prevent fire or shock hazard, do not expose any part of this device to rain or moisture.
- This product is for indoor use only
- Do not expose the product to extreme heat
- Do not disassemble the aerial, amplifier or adaptor they contain no user serviceable parts. Refer servicing to qualified personnel only.
- This device should be operated using only the AC/DC adaptor supplied with it.
- Do not overload wall outlets and extension cords as this can result in the risk of fire or electrical shock.

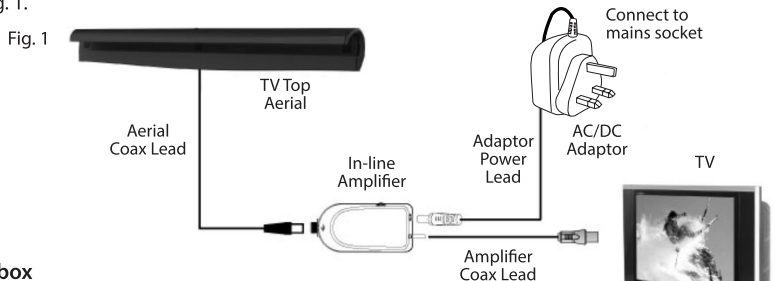
Features

- > Designed to sit discretely on top of your flat screen TV
- > Suitable for Digital / HD & radio reception in strong signal areas
- > Receives all locally available digital TV signals
- > Amplified to enhance signal distribution

Installation instructions

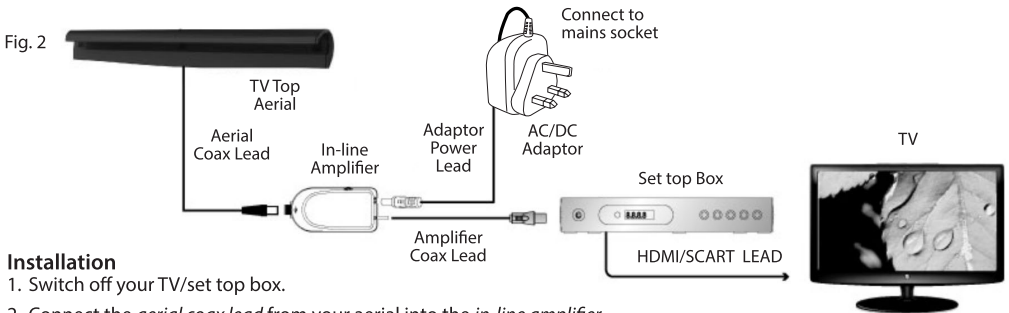
Connection direct to a TV

If you have a TV with a built-in Freeview™ receiver connect the in-line amplifier to the ANT. IN coax socket on your TV. Connections as shown in Fig. 1.



Connection to a set top box

If you have a PVR, Youview™ or other set top box the aerial connection will be to the ANT. IN coaxial socket of the device which will then be connected to your TV, usually via an HDMI lead. Connections as shown in Fig. 2.

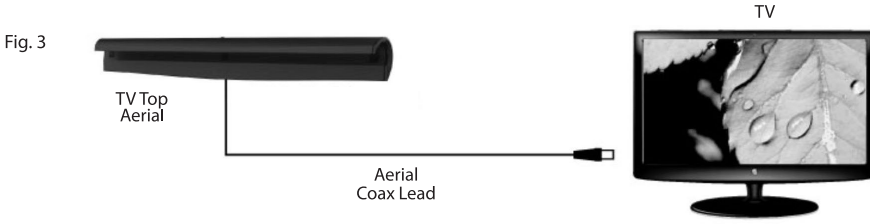


Installation

1. Switch off your TV/set top box.
2. Connect the *aerial coax lead* from your aerial into the *in-line amplifier*.
3. Plug the *amplifier coax lead* into the aerial (ANT. IN) coax socket on your TV/PVR.
4. Plug the adaptor power lead into the in-line amplifier.
4. Plug the AC/DC adaptor into a mains socket.
6. Switch on your AC/DC adaptor, TV/set top box

Set up for some high signal strength areas

If your home is close to a transmitter in a high signal strength area you may not need to use the in-line amplifier and the AC/DC adaptor and the aerial can be connected directly to the TV or set top box as shown below.



Troubleshooting

If there is poor or no picture and sound:

1. Make sure the power socket which the AC/DC adaptor is plugged into is switched on.
2. Check all coax and power connections.

For further information or any queries please contact

Customer careline: 08457 573479

Local Rate - UK Only

Technical Support: www.philex.com/support

Specifications

Frequency:	UHF 470-790MHz
	VHF 174-230MHz
Gain:	UHF Gain 27dB
	VHF Gain 20dB
Impedance:	75Ω
Power Supply:	Input AC 220-240V~50Hz
	Output DC6V/50mA



Waste electrical and electronic products should not be disposed of with household waste. Please recycle where facilities exist. Check with your Local Authority for recycling advice.

