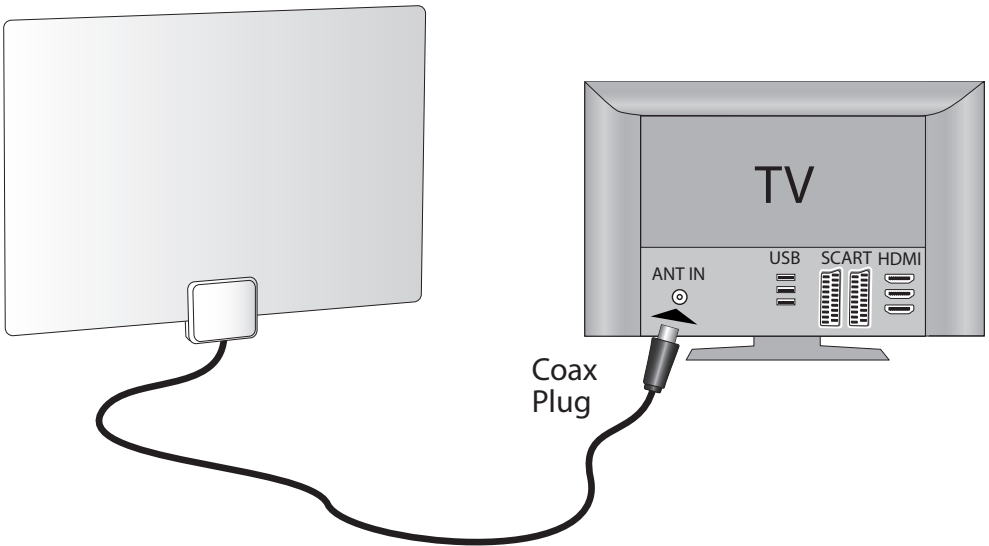


Features Include:

- *Less than 0.5mm thick (aerial element - excluding connector)*
- *Suitable for Digital/HD TV reception in strong signal areas*
- *Receives all locally available digital TV signals*
- *Thin profile ideal for positioning behind picture frames*
- *Can be painted to match the surface it is to be mounted on*

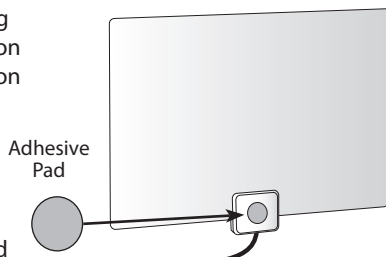
Fig. 1**Installation Instructions**

1. If your TV has a built-in digital tuner, connect your aerial to the RF input on your TV using the integrated coax cable supplied.

Alternatively you can use your aerial to provide TV signals to Freeview™ boxes, PVRs, VCRs and other set top boxes. Connect the coax plug on your aerial lead to the ANT IN socket on your set top box and connect the set top box to your TV using an HDMI, SCART or RF lead as appropriate (follow your set top box instructions).

Aerial positioning and tuning

You can attach the aerial to almost any flat vertical surface using the 2cm diameter adhesive pad supplied (peel off the backing on one side the adhesive pad and stick it to the balun in the position shown opposite). Before you attach the aerial to a surface try positioning the aerial on different surfaces at different angles to find the position that gives the best signal, you may also find you get a better signal by mounting the aerial at different heights. When you have found the best position for your aerial peel the remaining backing off the adhesive pad and stick the aerial to the surface chosen (make sure the surface is dry and dust-free first).



Troubleshooting

Problems with DTT (Digital Terrestrial Television)

It is not possible to view digital channels under weak signal strength conditions. Therefore, typically you will either receive digital channels with a clear picture and sound or you will not receive any channels at all. Sometimes, an insufficient digital signal can cause occasional blocking, freezing or complete loss of picture. Try the following to improve the picture:

1. Reposition the aerial on different facing surfaces and at different heights.
2. Position the aerial at greater or lesser distance from TV until optimum signal is received.

General Safety Precautions

- To prevent fire or shock hazard, do not expose this device to rain or moisture.
- This product is for indoor use only
- Do not expose the product to extreme heat
- Do not use the product close to water.
- Do not open this aerial it contains no user serviceable parts. Refer servicing to qualified personnel only.

Specifications

Frequency Range: 470-790MHz
Impedance: 75Ω

To find out what DTT channels should be available locally go to: <http://www.dtg.org.uk/industry/coverage.html> and enter postcode. To view your local transmitter's distance and compass bearing select "Trade view" from top bar.

For further information or any queries please contact

Customer careline: 08457 573479

Local Rate - UK Only

Technical Support: www.philex.com/support



Waste electrical and electronic products should not be disposed of with household waste. Please recycle where facilities exist. Check with your Local Authority for recycling advice.

