

Introduction

Special features include:

- This signal booster is 4G Ready - which means it removes interference and channel loss from your TV caused by 4G mobile phone signals
- Flat gain response across the full frequency spectrum ensures optimum digital reception
- Surge protection
- Side mounted terminals provide easy cable management
- Full VHF compatibility for TV and FM/DAB

This SLx Gold aerial signal booster is designed to improve picture and sound quality by amplifying weak UHF, VHF, DAB and FM radio signals.

Installation for TV and Radio Signal Distribution

Note: If you are plugging your SLx Gold booster into a twin socket it is recommended that it is plugged into the right hand socket so that connected flyleads do not obstruct the other socket.

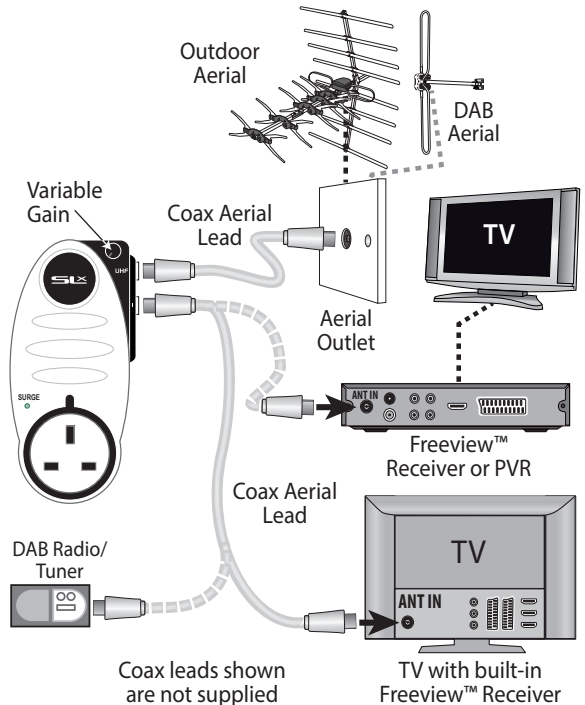
WARNING: Do not plug appliances into the booster mains socket which are rated at more than 13A or 3000W.

TV Signal Distribution

1. Connect your UHF aerial download flylead from aerial outlet to the **INPUT** socket on the booster.
2. Connect your TV or set top box to socket 1 (TV Output) on the booster.

FM/DAB Signal Distribution

1. Connect your radio aerial download (either FM or DAB) to the **INPUT** socket on the booster.
2. Connect your FM radios/tuners or your DAB radios/tuners to socket 1 on the booster.



Operating Instructions

Variable gain control

After installing your SLx booster rotate the variable gain control (shown in the diagram opposite) to get the best picture/sound. Bear in mind that the signal can be too strong as well as too weak.

See Trouble Shooting section opposite for more details.

SLx logo backlight LED configuration

SLx logo backlit - Power on

Amber LED - Surge and Spike Protection

When the amber light comes on the SLx logo backlight will go out. This indicates that there has been a power surge or spike, this will return to normal and will require no action by yourself. After the power surge or spike has passed the amber light will go out and the SLx logo will be lit again. This feature ensures that you have that extra protection and peace of mind.

Note: If you are plugging your booster into a twin socket it is recommended that it is plugged into the right hand socket so that connected flyleads do not obstruct the other socket.

WARNING: Do not plug appliances into the booster mains socket which are rated at more than 13A or 3000W.

Troubleshooting

If you are experiencing reception problems after installing the SLxG, please see below:

No picture or sound

No signal is reaching your television due to a possible break in the aerial signal path. Ensure that all equipment has been switched on (including the SLxG amplifier) and that all coaxial connectors have been fitted correctly.

Problems with TV Reception

It is usually not possible to view digital terrestrial TV channels under weak signal strength conditions. Therefore, typically you will either receive DTT channels with a clear picture and sound or you will not receive any channels at all.

A weak digital signal can cause occasional blocking, freezing or complete loss of picture. Ensure that your

aerial is a wideband, high gain aerial suitable for DTT reception. Blocking, freezing or complete loss of picture can also occur when the signal is too strong adjust the variable gain to reduce the signal.

If the signal is still too strong you do not want to amplify the signal and may need to fit a signal attenuator between the aerial downlead and DTT receiver to reduce the signal strength.

For specific help with digital TV reception problems, visit <http://www.wolfbane.net/cgi-bin/tvd.exe>

Specifications

Inputs	Outputs	UHF Freq.	VHF Freq.	Max output	Gain	Noise	Isolation Loss
1	1	470-790MHz	30-300MHz	86dBµV	14dB	<4dB	20dB

Technical Support

If you experience problems setting up your signal booster, please call the Philex Customer Care Line: **08457 573 479** - (Local Rate UK only).

Alternatively, please visit our technical website at www.philex.com/support



Waste electrical and electronic products should not be disposed of with household waste. Please recycle where facilities exist. Check with your Local Authority for recycling advice.

